

DH-PFH610V-H-POE

14" POE Housing



Features

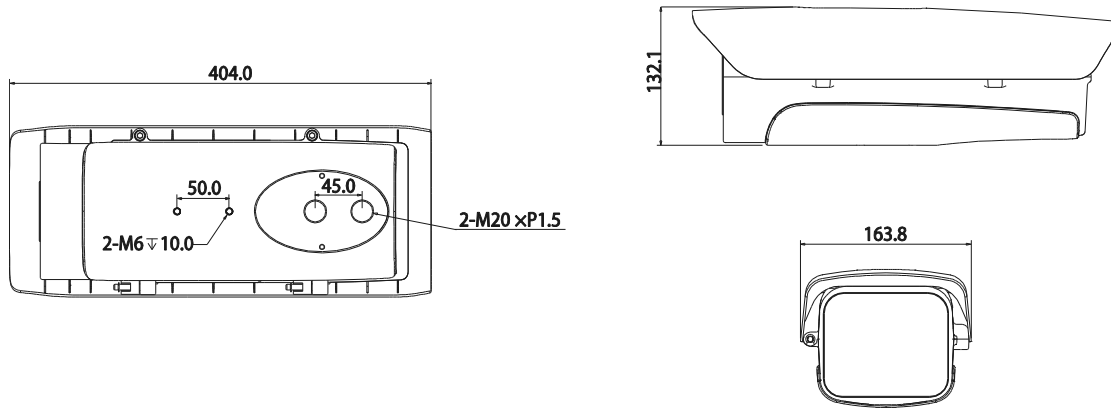
- IP66, IK10 Housing
- Water-proof coating film
- Neat & Integrated design

Specifications

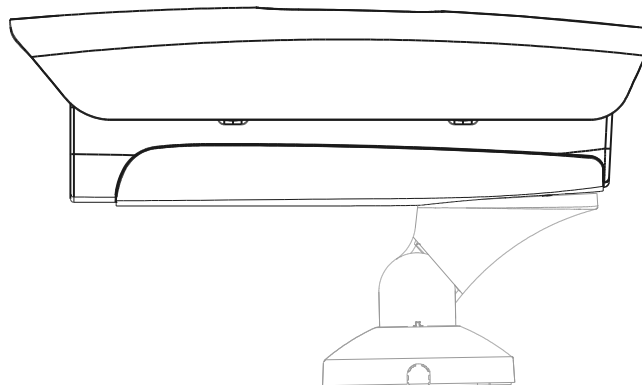
| Model | | DH-PFH610V-H-POE |
|-----------------------|--------|--|
| General | | |
| Material | | Aluminum(case) & PC(others) |
| Product Dimension | | 404mm(L) x 164mm(W) x 132mm(H) |
| Inside Dimension | | 255mm(L) x 90mm(W) x 70.5mm(H) 215mm(L) x 90mm(W) x 83mm(H) |
| Window Dimension | | 100(L) x 80(W) |
| Operating Temperature | Set | -40°C ~60°C |
| | Heater | ON: 5±5 °C /OFF: 15±5 °C |
| | Cooler | ON: 37±5 °C /OFF: 20±5 °C ON: 5±5 °C /OFF: 15±5 °C |
| Ingress Protection | | IP66 |
| Humidity | | ≤90% RH |
| IR Distance | | N/A |
| Wiper | | N/A |
| Weight | | 2.7Kg |
| Power Supply | | POE+ |
| Applicable Model | | Please see "Accessory Selection" |

DH-PFH610V-H-POE

Dimensions (mm)



Application



Dahua Technology Co., Ltd.

1199 BinAn Road, Binjiang District, Hangzhou, China

Tel: +86-571-87688883

Fax: +86-571-87688815

Email: overseas@dahuatech.com

www.dahuasecurity.com

*Design and specifications are subject to change without notice.

© 2016 Dahua Technology Co., Ltd.